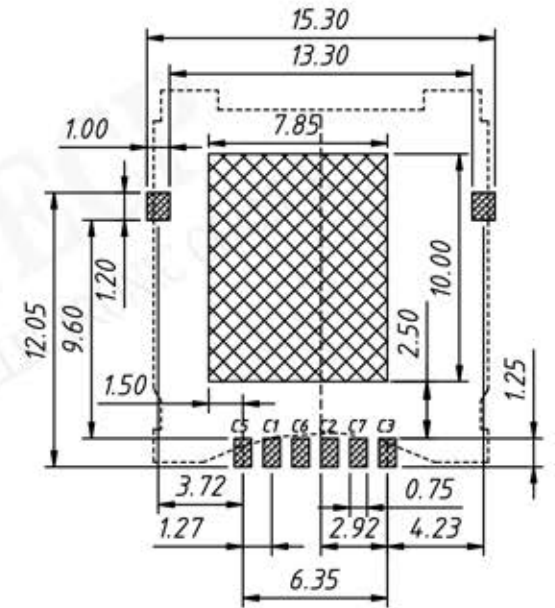
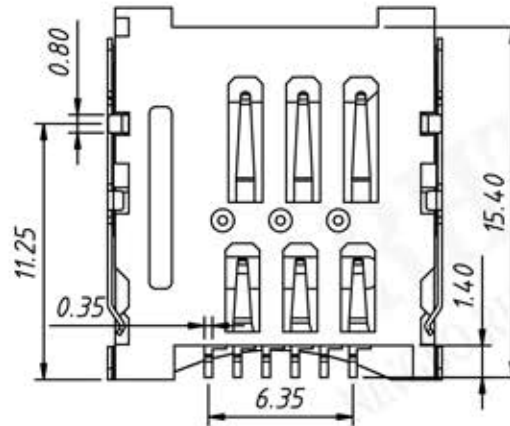
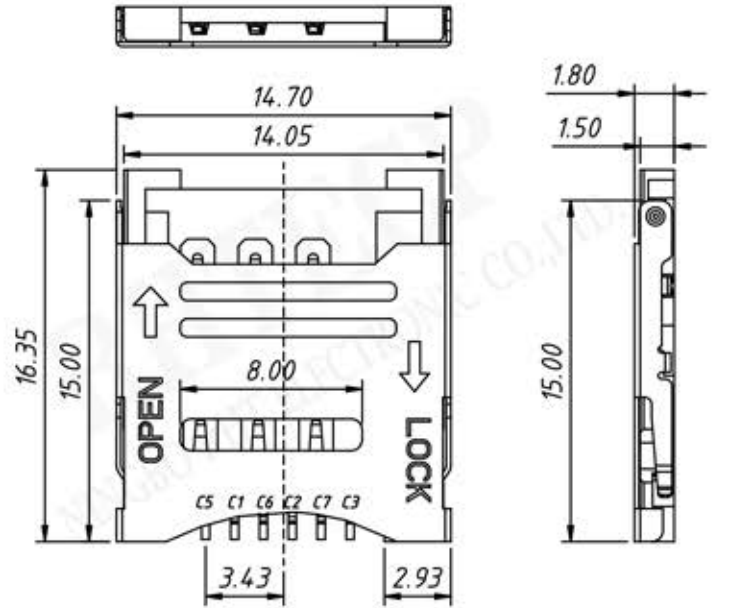
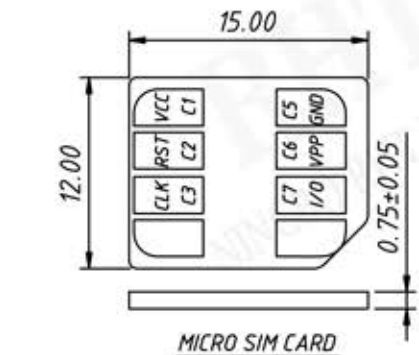
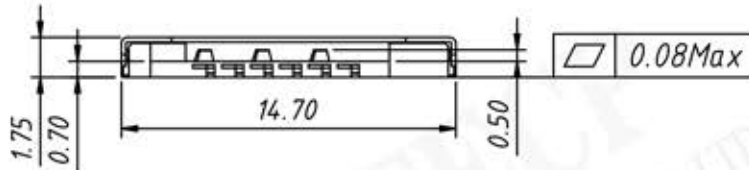


P/N: RE-C-SIM-072-6P-H1.8-R



■ SMT SOLDER AREA  
 ▨ NO WIRING AREA  
 RECOMMENDED PCB LAYOUT  
 GENERAL TOLERANCE ±0.05



SIM Pin Assignment	
Pin #	Name
C1	VCC
C2	RST
C3	CLK
C5	GND
C6	VPP
C7	I/O

**Material:**  
 Housing:LCP,UL94V-0,Black.  
 Terminal:Copper Alloy.  
 Shell:Stainless Steel.  
**Electrical:**  
 Current Rating:1A Max.  
 Voltage Rating:30V DC max.  
 Contact Resistance:30mΩ Max.  
 Insulation Resistance:1000MΩ Min.  
 Dielectric Voltage:500V r.m.s/min.  
 Operation Temp:-40oC ~ +85oC  
 Humidity:0% ~ 95%  
 Durability:5000 Cycles.

